

PROP FAN
EXPLODED
VIEWS
11/13/2017

Propeller Information

WP-10 thru 20

Propeller - Part Information

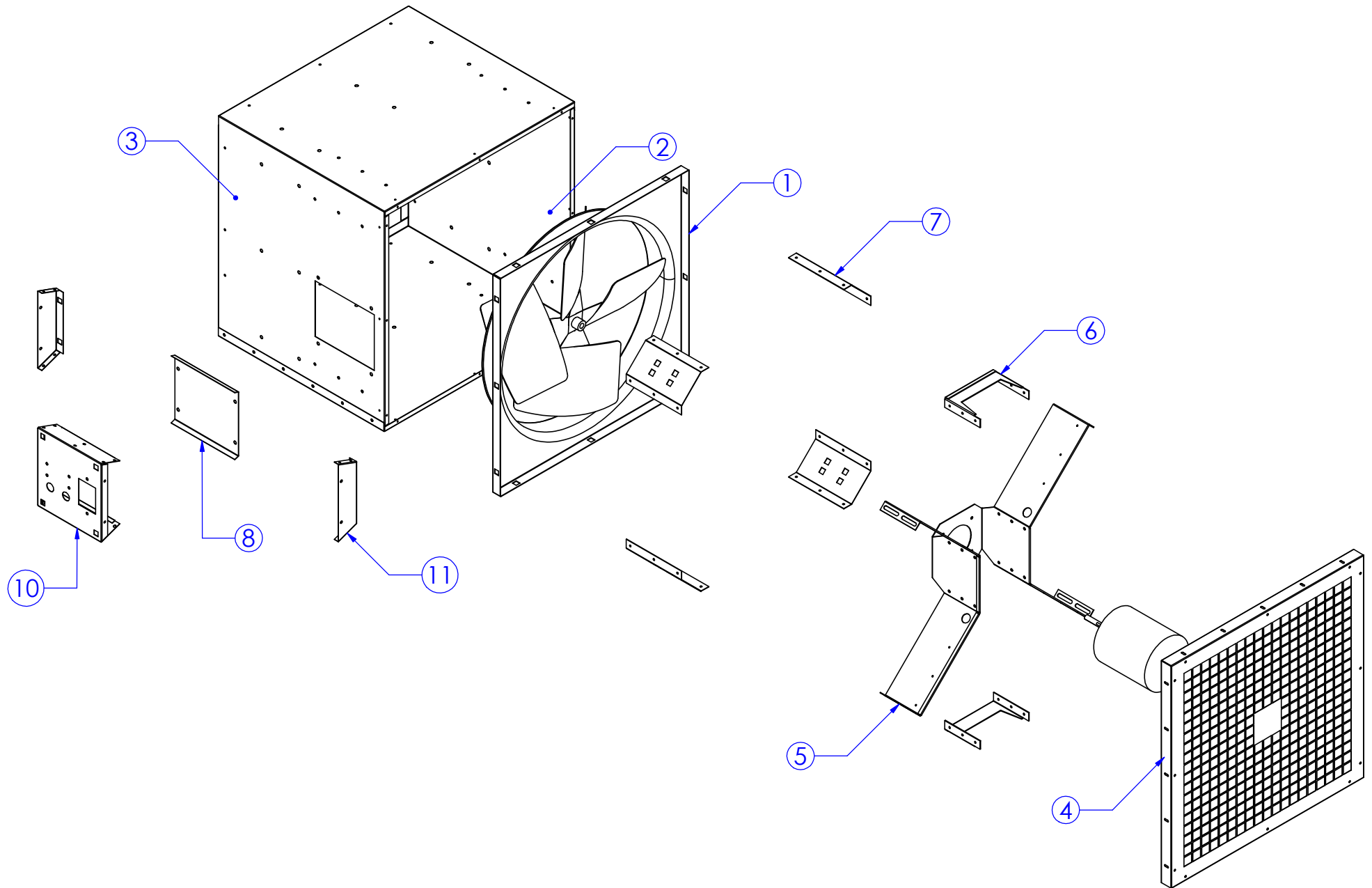
Item #	Part #	AX #	Diameter (in.)	# of Blades	Material	Bushing Type	Max RPM	Used On
1	5P10CW40-3/8IN	A0028696	10	5	Galv. Steel	N/A	1800	WP-10
2	5P12CW40-1/2IN	A0028697	12	5	Galv. Steel	N/A	1800	WP-12
3	5P14CW40-1/2IN	A0028698	14	5	Galv. Steel	N/A	1800	WP-14
4	XW1604-30	A0028699	16	4	Galv. Steel	N/A	1800	WP-16
5	XW1804-32	A0028700	18	4	Galv. Steel	N/A	1800	WP-18
6	XW2004-32	A0028701	20	4	Galv. Steel	N/A	1800	WP-20

Direct Drive Wall-Mount

WP-10 thru 20

Direct Drive Wall-Mount - Part Information							
Item #	Description of Parts	10 / 12	#	14 / 16	#	18 / 20	#
1	Inlet Panel	WP10PANEL / WP12PANEL	1	WP14PANEL / WP16PANEL	1	WP18PANEL / WP20PANEL	1
2	Wall Housing	WP1012WH	1	WP1416WH	1	WP1820WH	1
3	Wall Housing - Disconnect Side	WP1012WHD	1	WP1416WHD	1	WP1820WHD	1
4	Wall Housing Screen	WP1012FGSCREENC OV	1	WP1416FGSCREENC OV	1	WP1820FGSCREENC OV	1
5	Motor Plate	WP1012MP	1	WP1416MP	1	WP1820MP	1
6	Motor Plate Brace	N/A		WP14-20MPB	2	WP14-20MPB	2
7	Corner Gusset	WP10-20CG	4	WP10-20CG	4	WP10-20CG	4
8	Disconnect Cover	WP10-20DC	1	WP10-20DC	1	WP10-20DC	1
9	Disconnect Divider	WP10-20DD	1	WP10-20DD	1	WP10-20DD	1
10	Disconnect Panel	WP10-20DP	1	WP10-20DP	1	WP10-20DP	1
11	Disconnect Side	WP10-20DS	2	WP10-20DS	2	WP10-20DS	2

Direct Drive Wall-Mount WP-10 thru 20



Direct Drive Wall-Mount Options

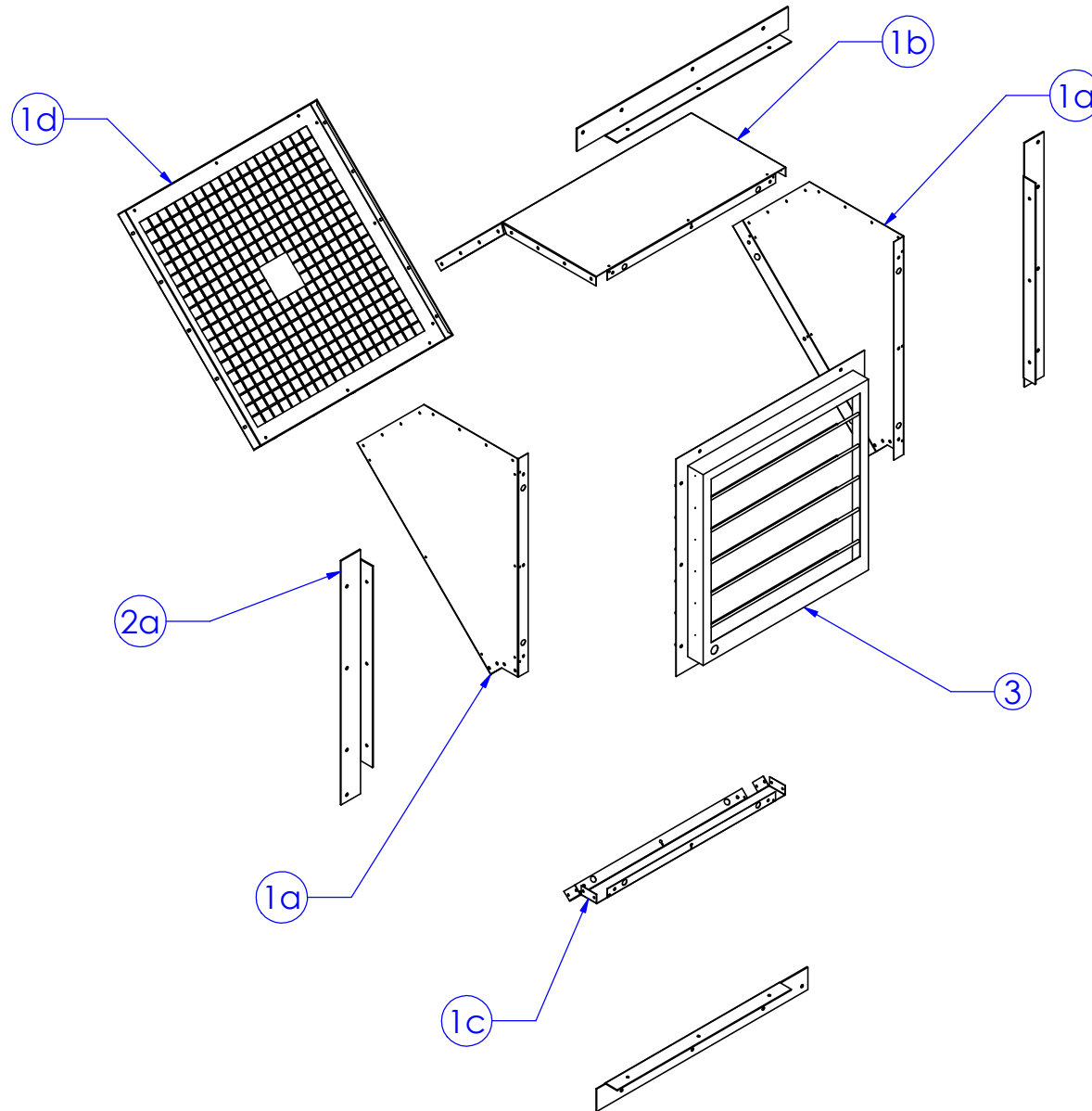
WP-10 thru 20

Direct Drive Wall-Mount Options - Part Information

Item #	Description of Parts	10 / 12	#	14 / 16	#	18 / 20	#
1	Weatherhood Assembly with Screen	WP1012WHA	1	WP1416WHA	1	WP1820WHA	1
<i>a</i>	<i>Weatherhood Side</i>	<i>WP1012WHS</i>	<i>2</i>	<i>WP1416WHS</i>	<i>2</i>	<i>WP1820WHS</i>	
<i>b</i>	<i>Weatherhood Top</i>	<i>WP1012WHT</i>	<i>1</i>	<i>WP1416WHT</i>	<i>1</i>	<i>WP1820WHT</i>	
<i>c</i>	<i>Weatherhood Bottom</i>	<i>WP1012WHB</i>	<i>1</i>	<i>WP1416WHB</i>	<i>1</i>	<i>WP1820WHB</i>	
<i>d</i>	<i>Weatherhood Screen</i>	<i>WP1012FGSCREENCOV</i>	<i>1</i>	<i>WP1416FGSCREENCOV</i>	<i>1</i>	<i>WP1820FGSCREENCOV</i>	
2	Wall Collars	WP1012WC-8	1	WP1416WC-8	1	WP1820WC-8	1
<i>a</i>	<i>Wall Collar</i>	<i>WP1012WC</i>	<i>8</i>	<i>WP1416WC</i>	<i>8</i>	<i>WP1820WC</i>	
3	Gravity Backdraft Damper	WP1012-BDD	1	WP1416-BDD	1	WP1820-BDD	1

Direct Drive Wall-Mount Options

WP-10 thru 20



Direct Drive Wall-Mount Hardware

WP-10 thru 20

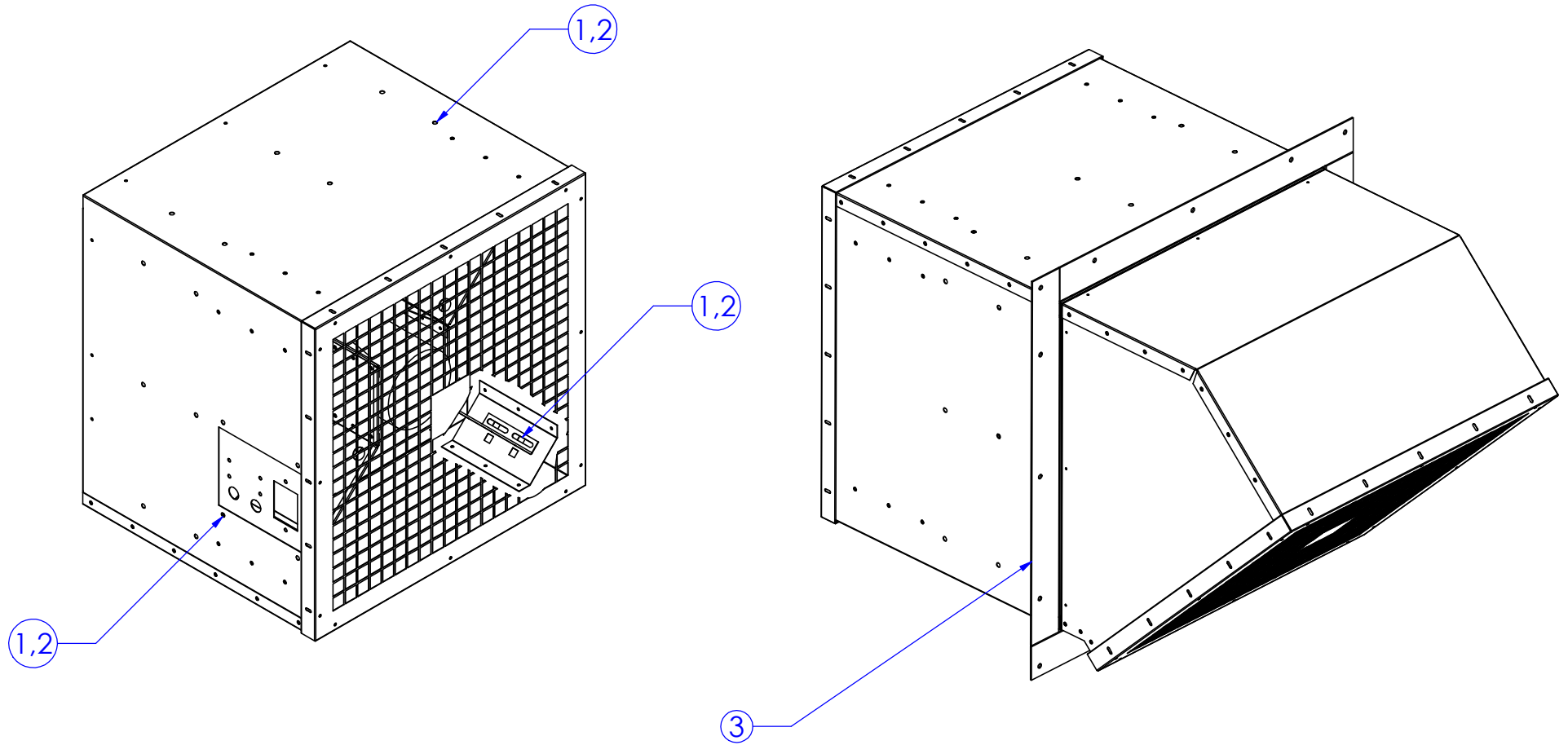
Direct Drive Wall-Mount - Hardware Information

Item #	Description of Parts	10 / 12	#	14 / 16	#	18 / 20	#
1	1/4-20 X 1/2" Whiz Bolt	800048	28	800048	28	800048	28
2	1/4-20" Cage Nut	11626-03224	28	11626-03224	28	11626-03224	28
3	1/4-14 x 1" Self Drilling Screw	90064A620	24	90064A620	24	90064A620	24

Direct Drive Wall-Mount - Rivet Count

10 / 12	#	14 / 16	#	18 / 20	#
SB6-4-RIVET	52	SB6-4-RIVET	64	SB6-4-RIVET	64

Direct Drive Wall-Mount Hardware



WP-10 thru 20

WP-10 thru 20
WITH OPTIONS